

# MEASURING angles

## Math Task Cards

measuring angles

Measure the angle using a protractor.



measuring angles

Use a protractor to draw and label this angle.

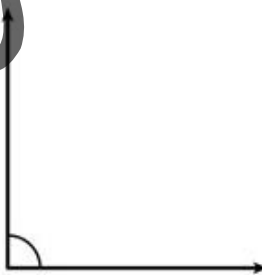
**45°**

1

© The Teacher Next Door

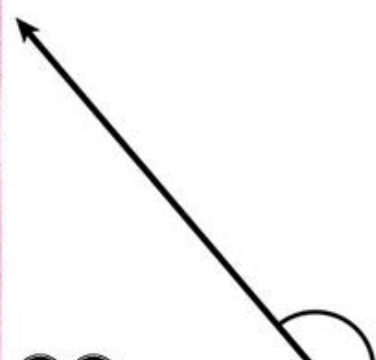
measuring angles

What is the best estimate for the angle shown?



measuring angles

Measure the angle using a protractor.



1 2

© The Teacher Next Door

## measuring angles

Measure the angle using a protractor.

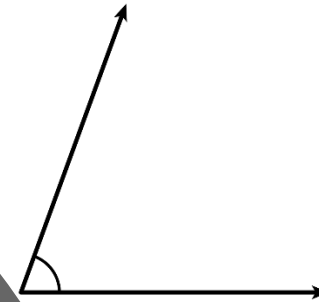


1

© The Teacher Next Door

## measuring angles

What is the best estimate for the angle shown?



A.  $20^\circ$

B.  $70^\circ$

C.  $140^\circ$

2

© The Teacher Next Door

## measuring angles

Use a protractor to draw and label this angle.

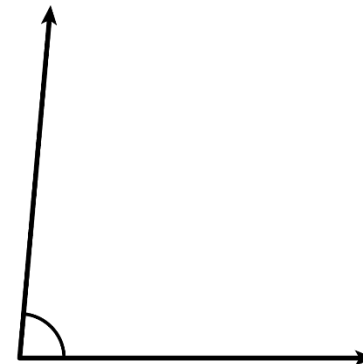
$25^\circ$

3

© The Teacher Next Door

## measuring angles

Measure the angle using a protractor.

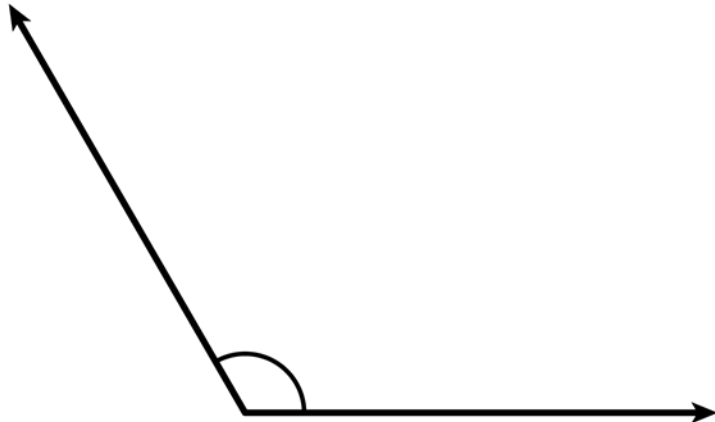


4

© The Teacher Next Door

measuring angles

Measure the angle using a protractor.

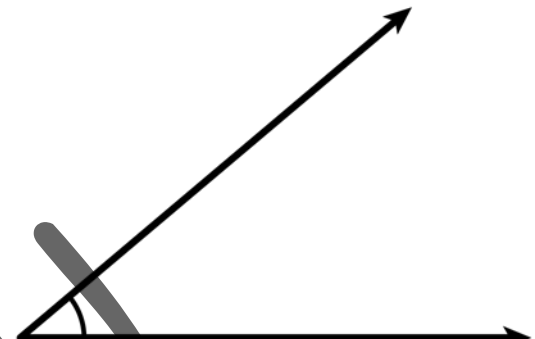


5

© The Teacher Next Door

measuring angles

What is the best estimate for the angle shown?



6

© The Teacher Next Door

A.  $130^\circ$

B.  $95^\circ$

C.  $40^\circ$

measuring angles

Use a protractor to draw and label this angle.

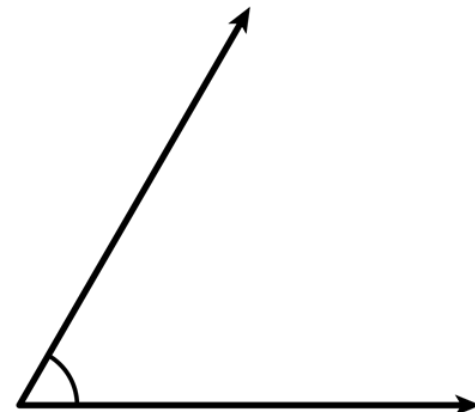
$170^\circ$

7

© The Teacher Next Door

measuring angles

Measure the angle using a protractor.

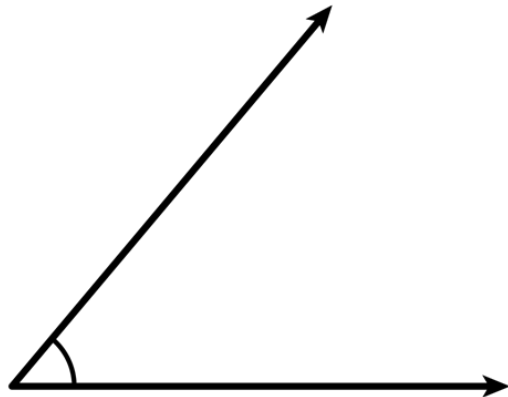


8

© The Teacher Next Door

## measuring angles

Measure the angle using a protractor.

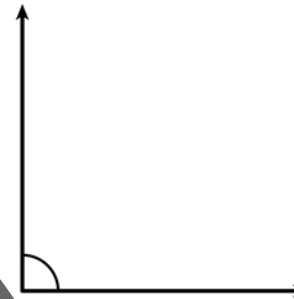


9

© The Teacher Next Door

## measuring angles

What is the best estimate for the angle shown?



A.  $90^\circ$

B.  $110^\circ$

C.  $75^\circ$

10

© The Teacher Next Door

## measuring angles

Use a protractor to draw and label this angle.

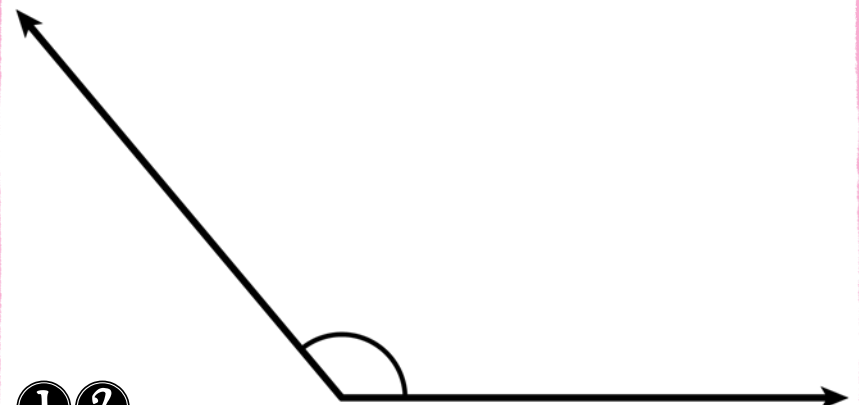
$45^\circ$

11

© The Teacher Next Door

## measuring angles

Measure the angle using a protractor.



12

© The Teacher Next Door

1.	2.	3.	4.
5.	6.	7.	8.
9.	10.	11.	12.
13.	14.	15.	16.
17.	18.	19.	20.
21.	22.	23.	24.

PREVIEW

25.	26.	27.	28.
29.	30.	31.	32.

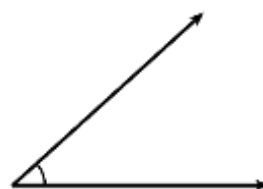
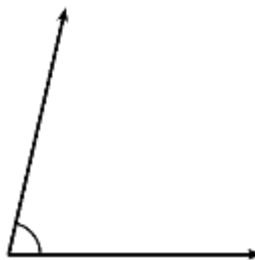
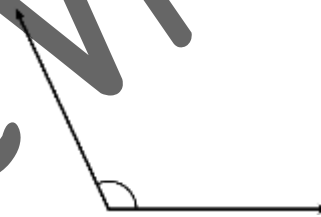
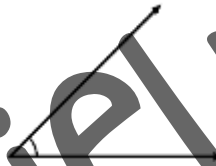
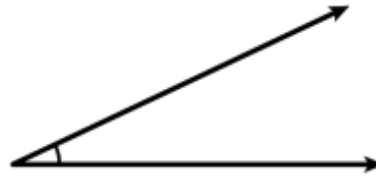
CCSS 4.MD.5,6 Measuring Angles

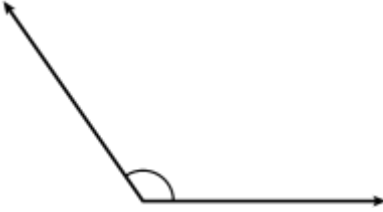
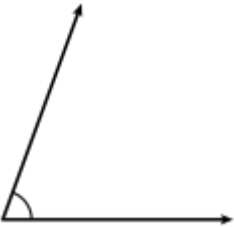
©The Teacher Next Door

PREVIEW

Answer Key

1. $5^\circ$	2. B	3. ( $25^\circ$ )	4. $85^\circ$
5. $120^\circ$	6. C	7. ( $170^\circ$ )	8. $60^\circ$
9. $50^\circ$	10. A	11. ( $45^\circ$ )	12. $130^\circ$
13. $100^\circ$	14. B	15. ( $115^\circ$ )	16. $35^\circ$
17. $43^\circ$	18. C	19. ( $77^\circ$ )	20. $24^\circ$
21. $138^\circ$	22. B	23. ( $42^\circ$ )	24. $16^\circ$



25. $75^\circ$	26. B	27. ( $125^\circ$ ) 	28. $30^\circ$
29. $160^\circ$	30. A	31. ( $70^\circ$ ) 	32. $115^\circ$

CCSS 4.MD.5,6 Measuring Angles

©The Teacher Next Door

PREVIEW